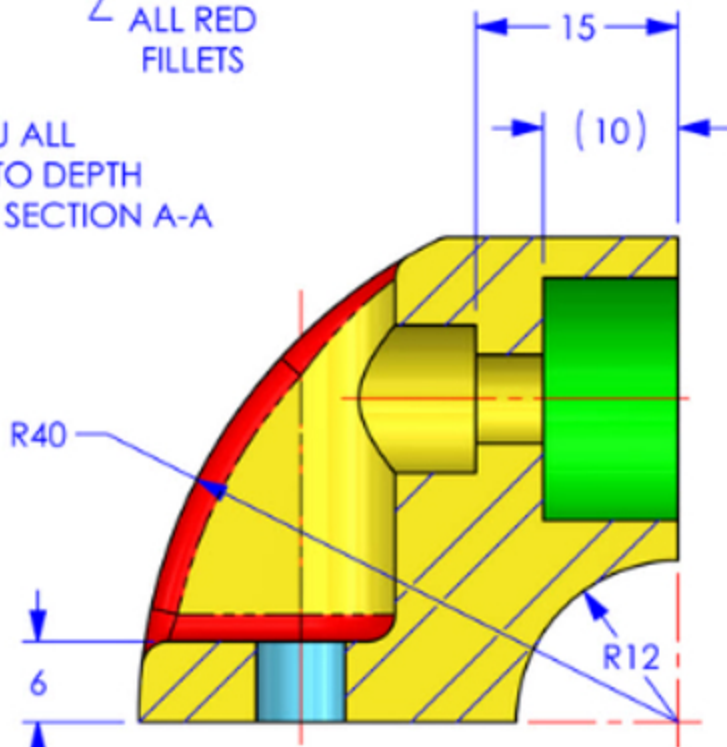
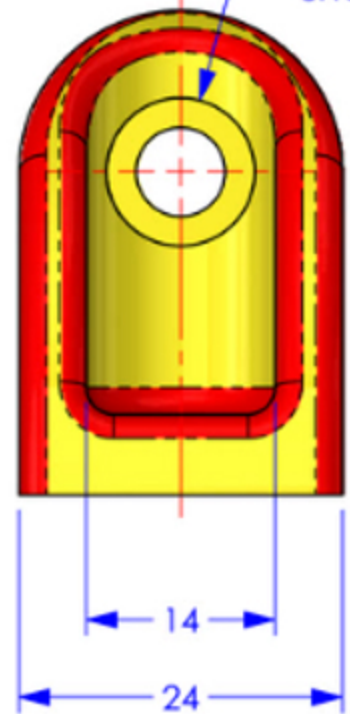
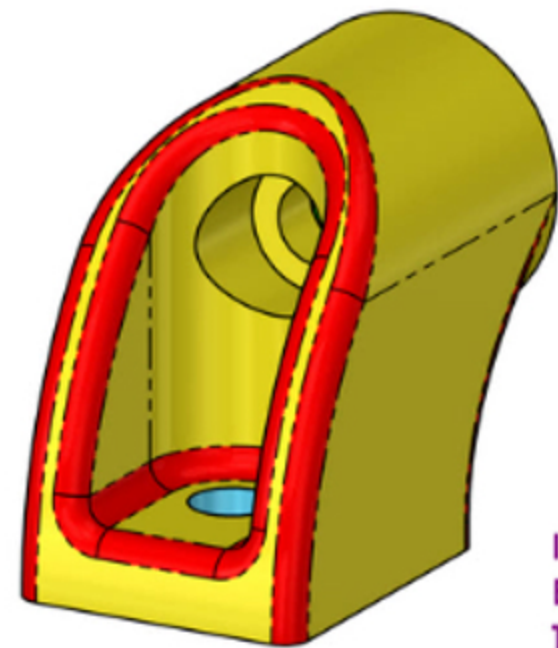
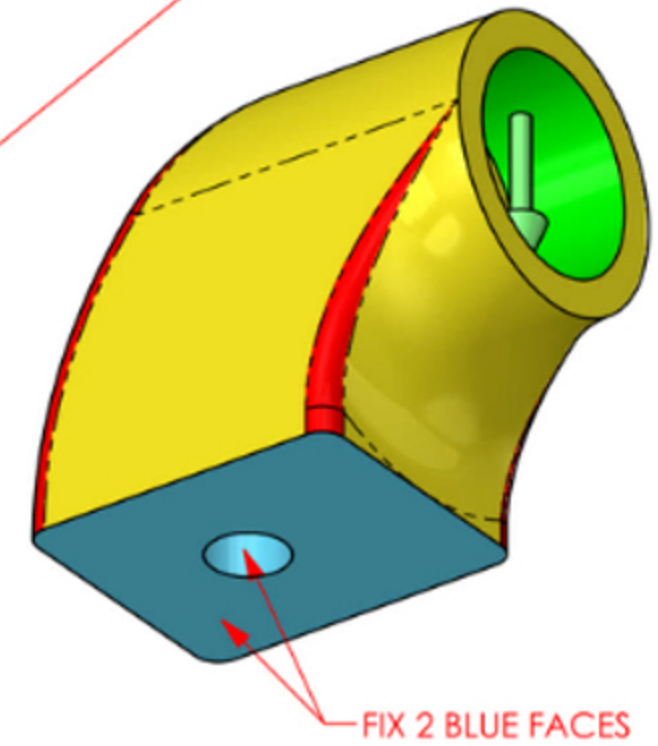
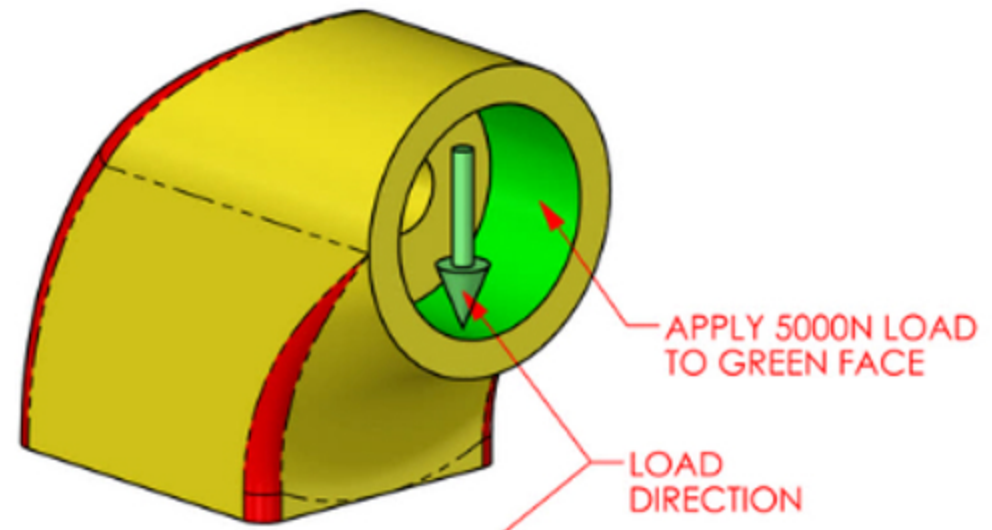
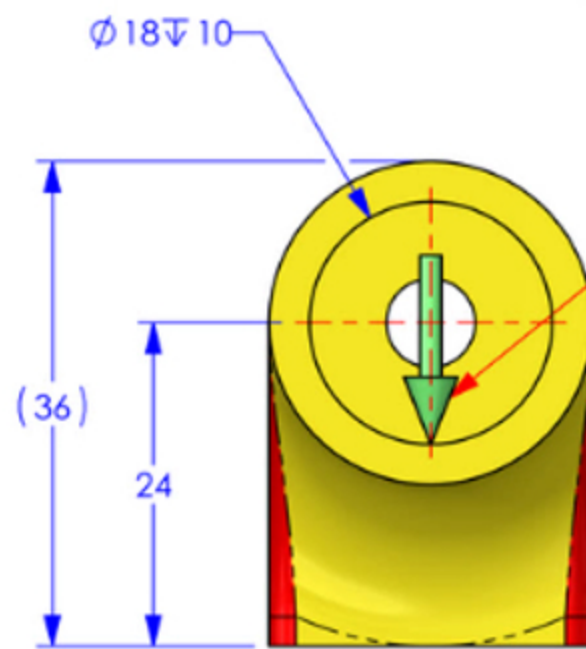
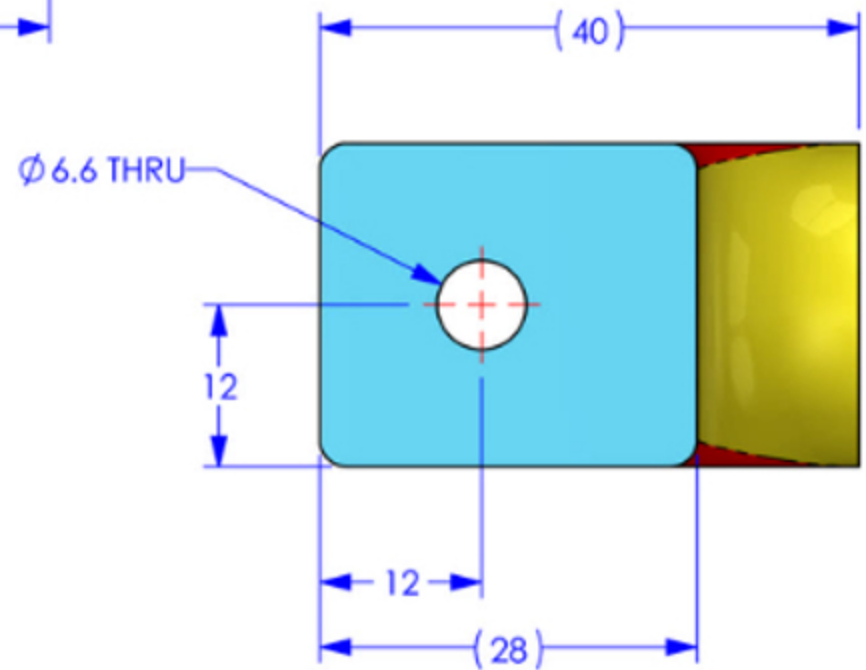


R2  
ALL RED  
FILLETS

M6 SHCS  
Ø 6.6 THRU ALL  
└─┘ Ø 11 TO DEPTH  
SHOWN IN SECTION A-A



SECTION A-A



NOTES:

1. ALL DIMENSIONS ARE IN MILLIMETERS
2. MATERIAL: PLAIN CARBON STEEL
3. DETERMINE MASS, IN GRAMS

SIMULATION:

1. FIX 2 BLUE FACES
2. APPLY 5000N LOAD TO GREEN FACE
3. DETERMINE MINIMUM FACTOR OF SAFETY

INSTRUCTIONS:

ENTER MASS & FACTOR OF SAFETY INTO VIRTUAL  
TESTER RESULTS, THEN UPLOAD YOUR MODEL



PROPRIETARY AND CONFIDENTIAL  
THE INFORMATION CONTAINED IN THIS DRAWING IS THE  
SOLE PROPERTY OF SOLIDWORKS. ANY REPRODUCTION IN  
PART OR AS A WHOLE WITHOUT THE WRITTEN PERMISSION  
OF SOLIDWORKS IS PROHIBITED.  
DRAWN BY: MAS 11-3-21

**MODEL MANIA®**  
**2022**